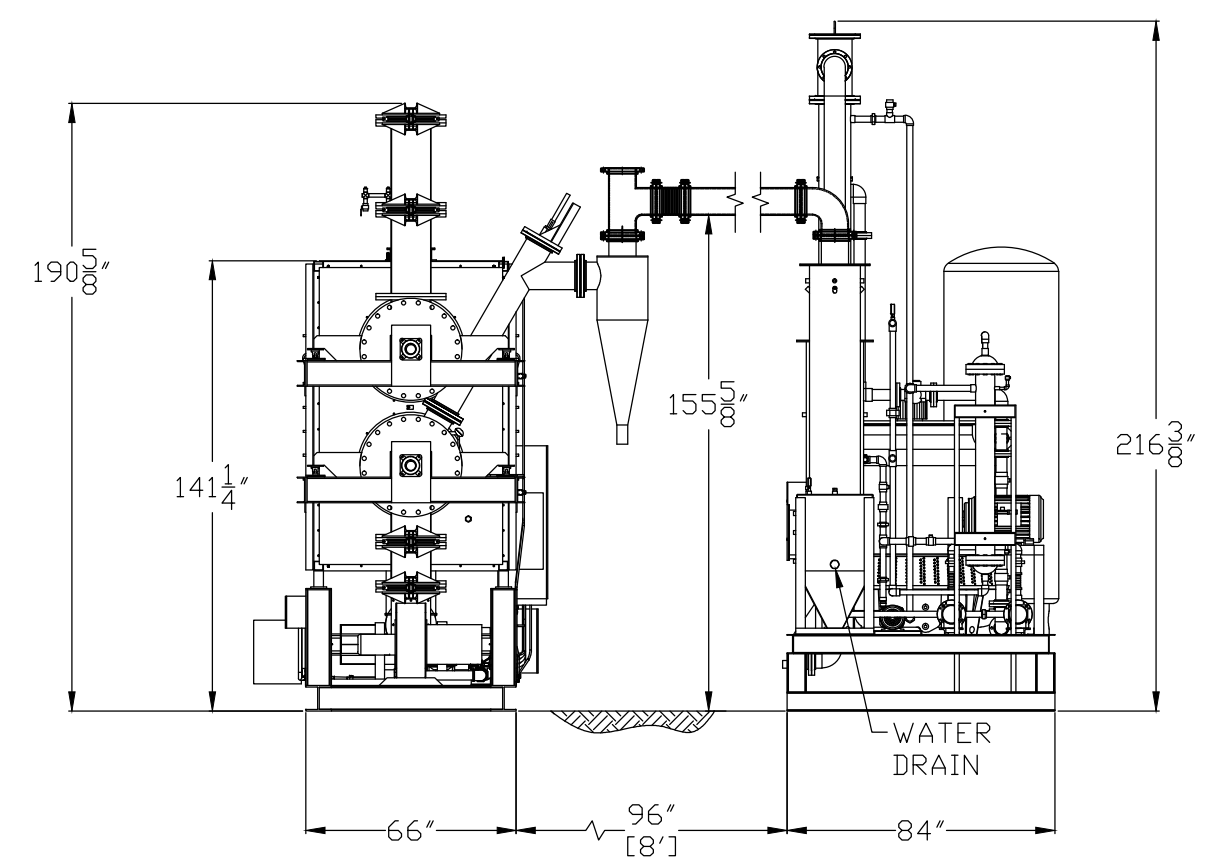
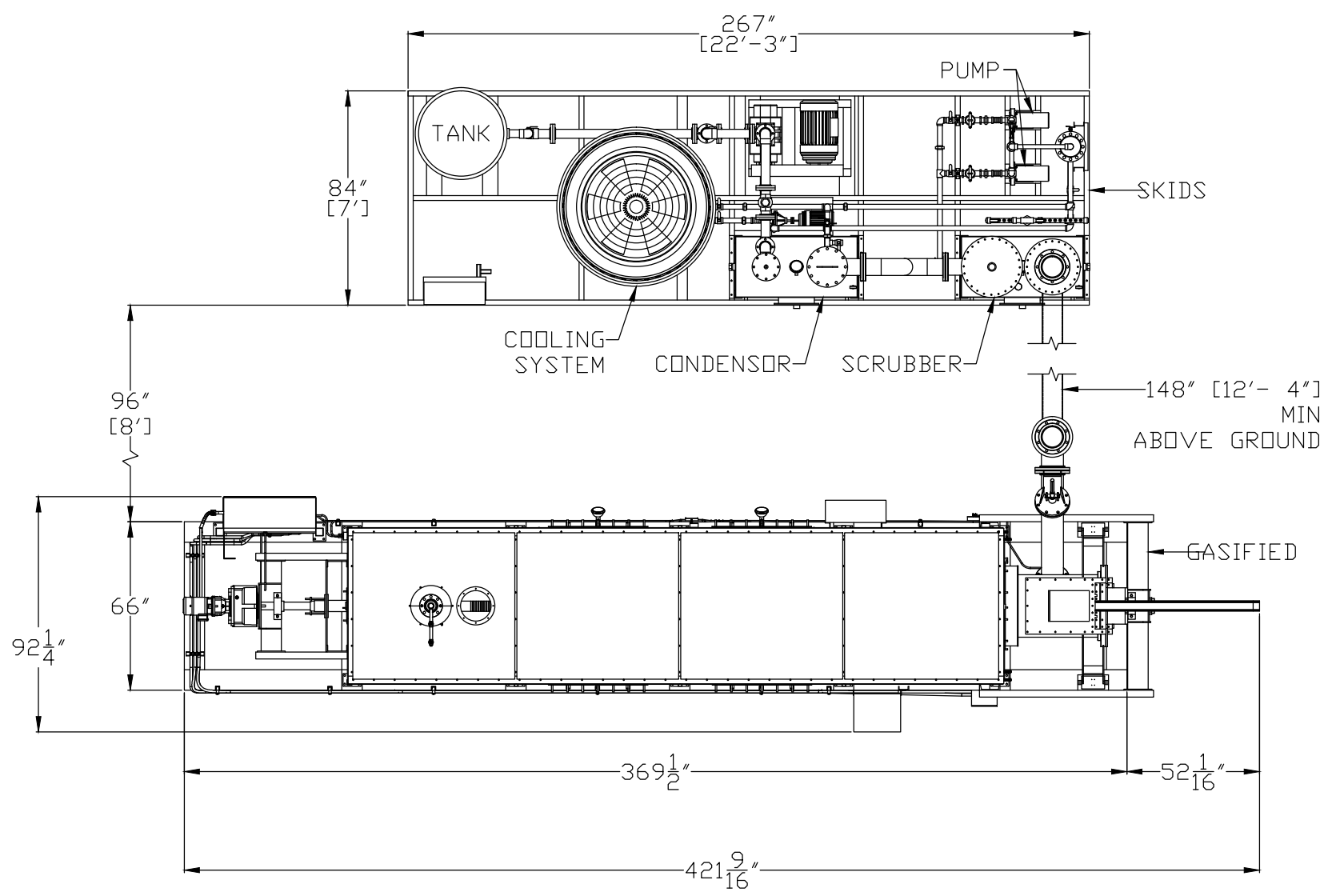


REVISIONS				
ZONE	REV	DESCRIPTION	DATE	APPROVED



DATE: 4/17/13
DRAWN BY: GUS V.
CHECKED BY: L. MAHJOOB
APPROVED BY: L. MAHJOOB
P.O #:

THIS DRAWING IS THE PROPERTY OF
 INFORMATION AND KNOW HOW ARE
 CONFIDENTIAL AND SHALL NOT BE
 USED/ OR REPRODUCED WITHOUT
 THE WRITTEN PERMISSION OF



AMERICAN RENEWABLE
 TECHNOLOGIES INC.

ITEMS	QTY.	PART NUMBER	DESCRIPTION
TITLE: 1 TON UNIT LAYOUT			
CUSTOMER:			
DWG NAME: 1 TON UNIT LAYOUT			
SCALE: N/A		SHEET: 1 OF 3	REV.

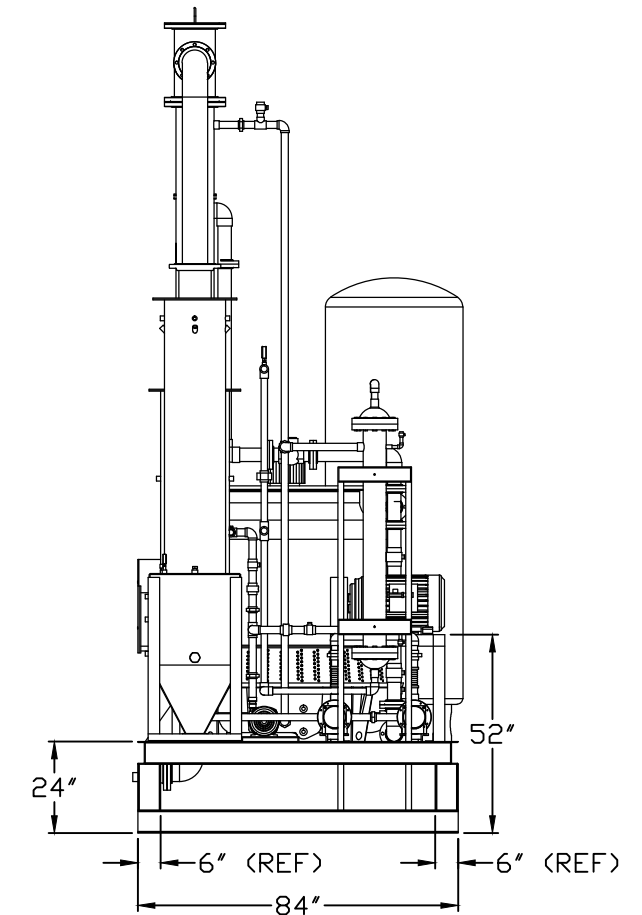
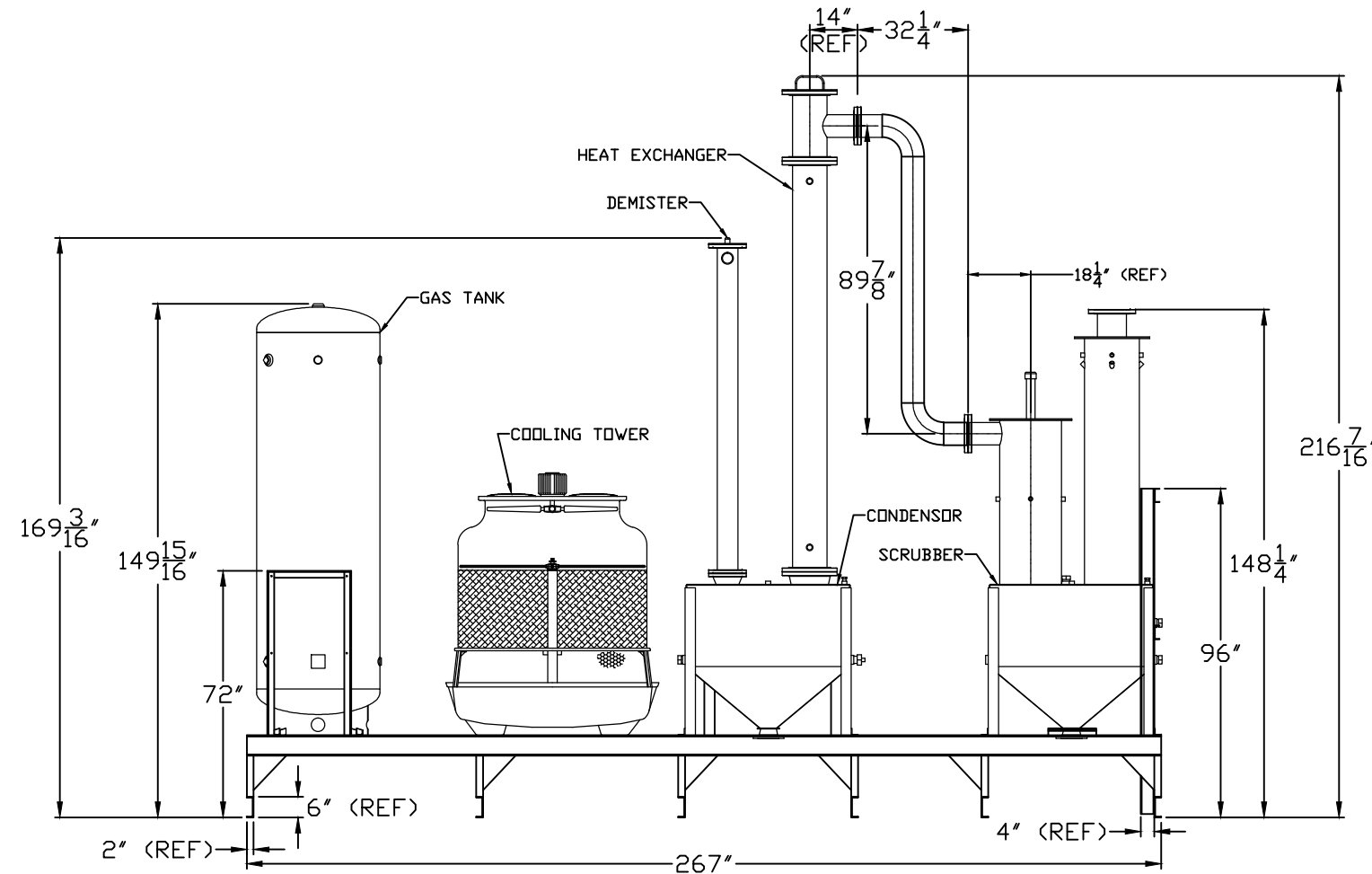
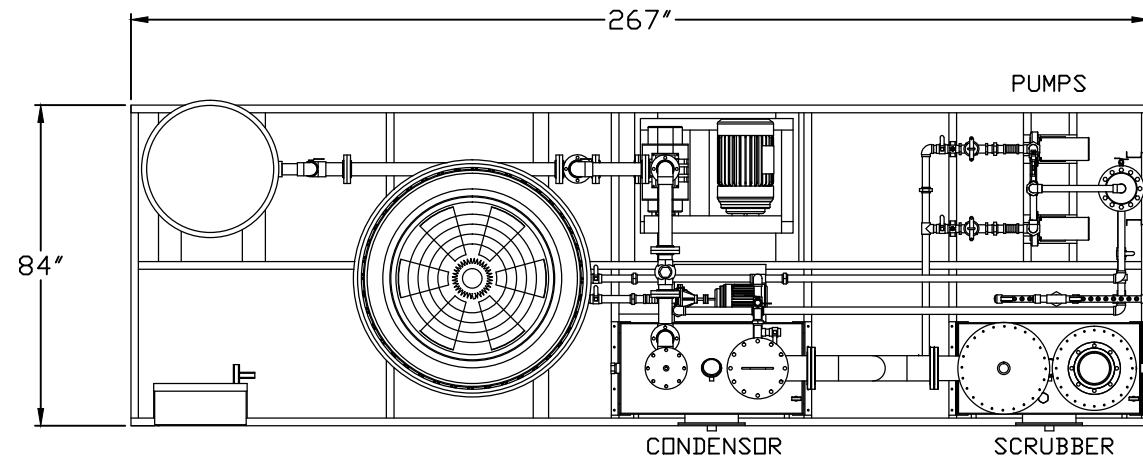
4

3

2

1

REVISIONS				
ZONE	REV	DESCRIPTION	DATE	APPROVED



SKID BASE FRAME DIMENSIONS

ELEVATION VIEW

SIDE VIEW

DATE: 4/17/13

DRAWN BY: GUS V.

CHECKED BY: L. MAHJOOB

APPROVED BY: L. MAHJOOB

P.O #:

THIS DRAWING IS THE PROPERTY OF
 INFORMATION AND KNOW HOW ARE
 CONFIDENTIAL AND SHALL NOT BE
 USED/ OR REPRODUCED WITHOUT
 THE WRITTEN PERMISSION OF



**AMERICAN RENEWABLE
 TECHNOLOGIES INC.**

ITEMS	QTY.	PART NUMBER	DESCRIPTION
TITLE: 1 TON UNIT LAYOUT - SKID			
CUSTOMER:			
DWG NAME: 1 TON UNIT LAYOUT			
SCALE: N/A		SHEET: 3 OF 3	REV.

4

3

2

1

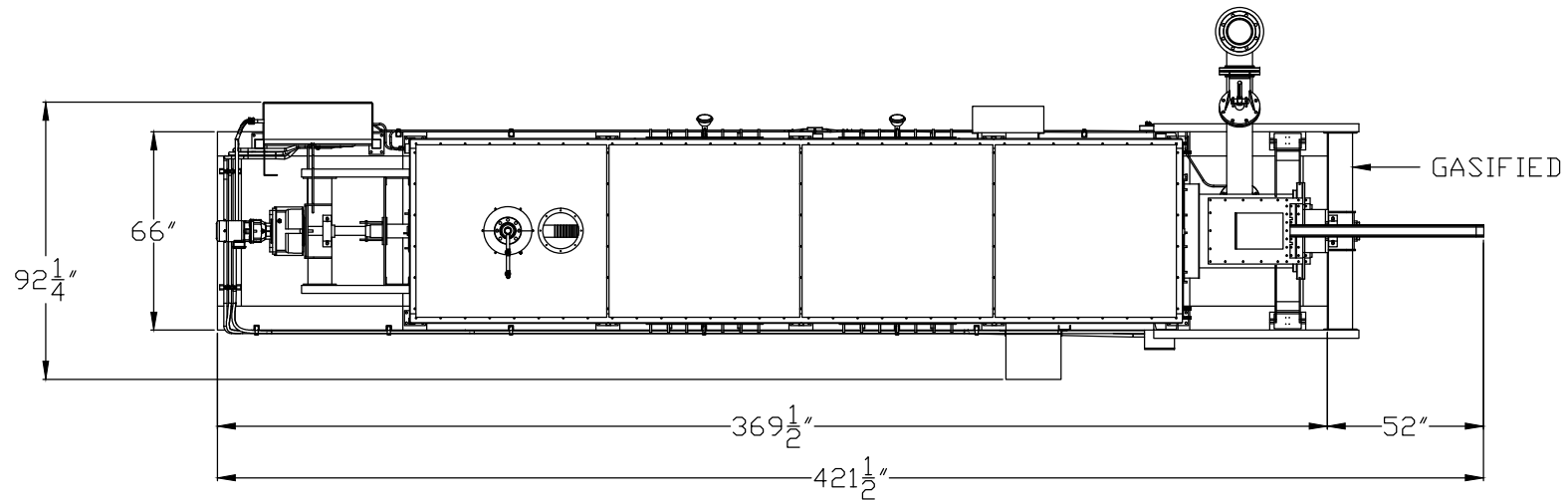
4

3

2

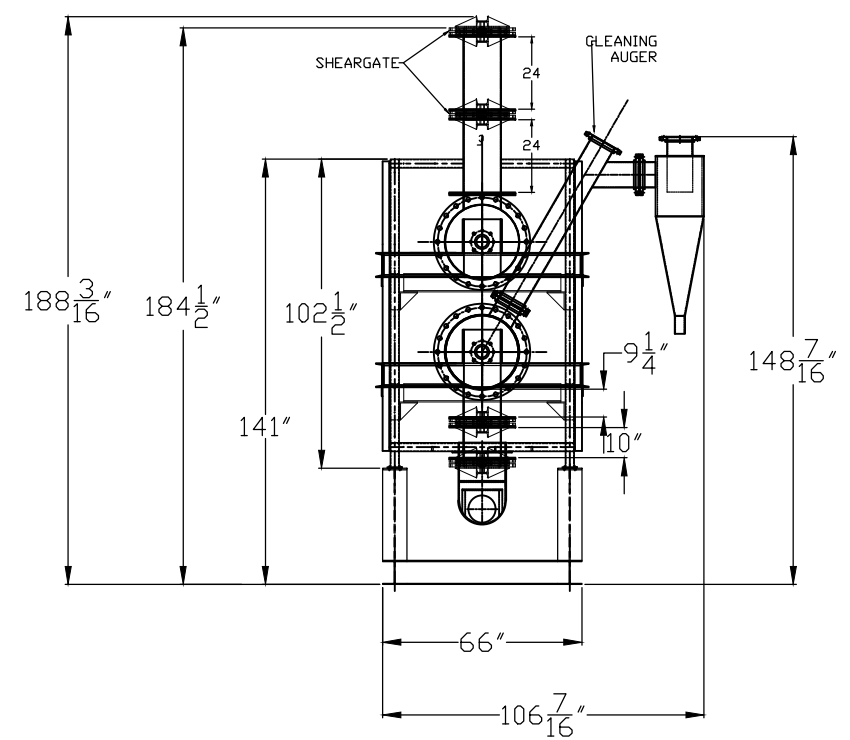
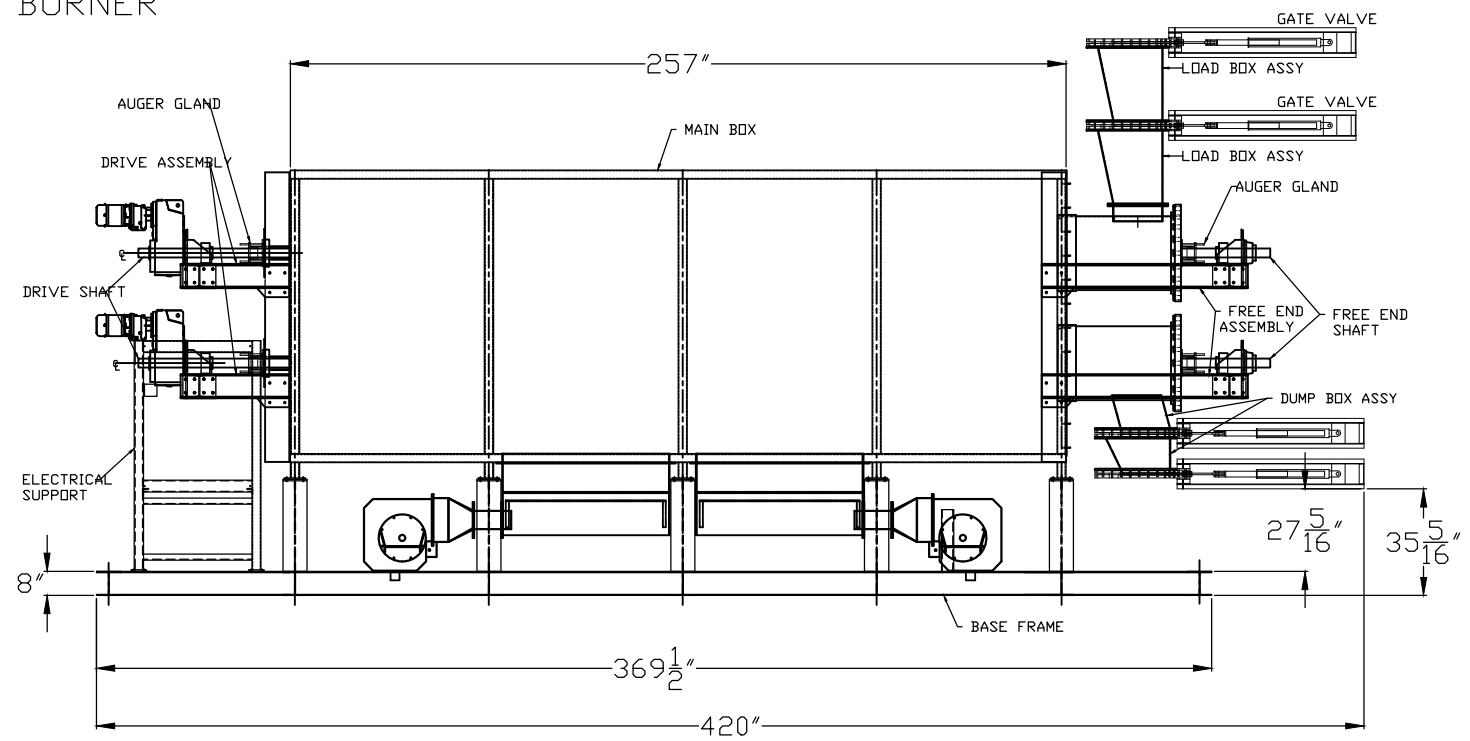
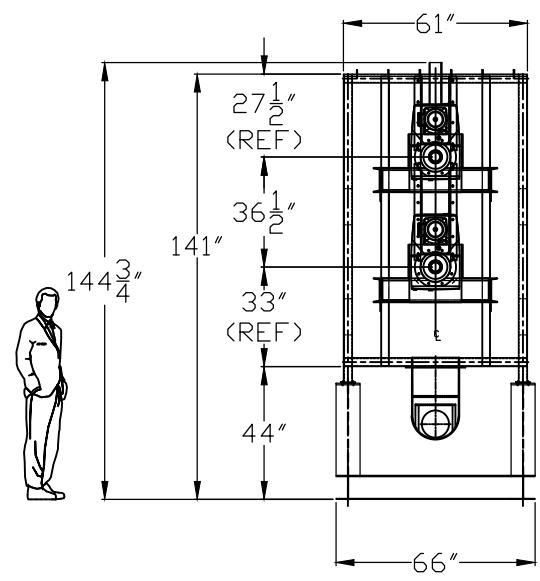
1

REVISIONS				
ZONE	REV	DESCRIPTION	DATE	APPROVED



DRIVE
END
WITH
BURNER

FREE
END



A

DATE: 4/17/13
DRAWN BY: GUS V.
CHECKED BY: L. MAHJOOB
APPROVED BY: L. MAHJOOB
P.O #:

THIS DRAWING IS THE PROPERTY OF
INFORMATION AND KNOW HOW ARE
CONFIDENTIAL AND SHALL NOT BE
USED/ OR REPRODUCED WITHOUT
THE WRITTEN PERMISSION OF



**AMERICAN RENEWABLE
TECHNOLOGIES INC.**

ITEMS	QTY.	PART NUMBER	DESCRIPTION
TITLE: 1 TON UNIT LAYOUT - GASIFIER			
CUSTOMER:			
DWG NAME: 1 TON UNIT LAYOUT			
SCALE: N/A		SHEET: 2 OF 3	
		REV.	

4

3

2

1